



LED module S

- Very energy efficient LED stripe (140 lm/W)
- Tunable whit, warm-cold CCT (optional)
- Optional use of fast connectors. Only 9,3 mm wide PCB.

Product benefits

- Very high efficiency 140 lm/W and low power consumption 16 W/m. Common anode (Vcc)
- High lumen output 2348 lm with wide light angle 120°.
- Possibility to shorten LED stripe in half-size.
- Optional use of fast connectors. Only 9,3 mm wide PCB.
- Optional order of tuneable whit from 2700K to 5000K
- Developed and made in Europe with 3 year warranty.

Technical data

Electrical data

Input voltage:	24V DC
Power consumption:	16W /m
Efficiency:	92%
PFC:	/
Life span:	>50.000
Light control:	optional

Optical technical data

LED QTY:	14
Luminous flux (4000K,25°C):	2248 lm/m
Color temperature:	2700K - 5000K, CW-WW
CRI:	>80
Luminous efficacy:	92 lm/W
Light angle:	120°

Mechanical data

Operating temperature:	-25°C ~ +40°C
Dimensions:	492 x 9,3 mm
Max. length of strips in one string:	5m
Weight:	0,2 kg

Color and materials

Color:	white
Material:	FR4

Certificates & standards

IP protection:	IP 20
Protection class insulation	class III (safety insulation)

*Every custom change of product affects the price of product.

Ordering information

Code	Description
PTIV LED S 2700K	LED module S 500mm 2700K
PTIV LED S 3000K	LED module S 500mm 3000K
PTIV LED S 4000K	LED module S 500mm 4000K
PTIV LED S 5000K	LED module S 500mm 5000K
PTIV LED S CW-WW	LED module S 500mm CW-WW

Manufacturer reserves all rights to make changes in materials and components used its products. All data are subject to change without prior notification.

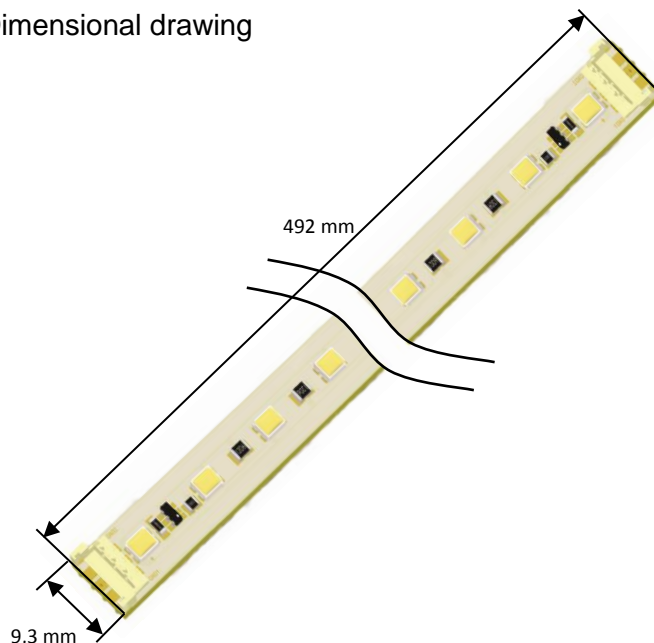
CE RoHS



MADE IN EUROPE

Additional product data

Dimensional drawing



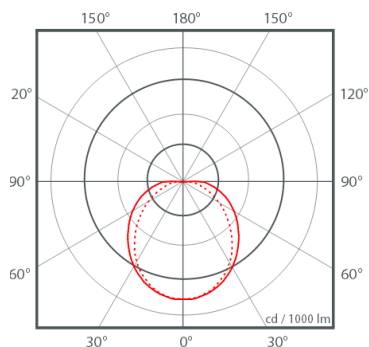
Shorten to min 123 mm



Optional use of fast connectors



Light distribution



Optional tunable white

